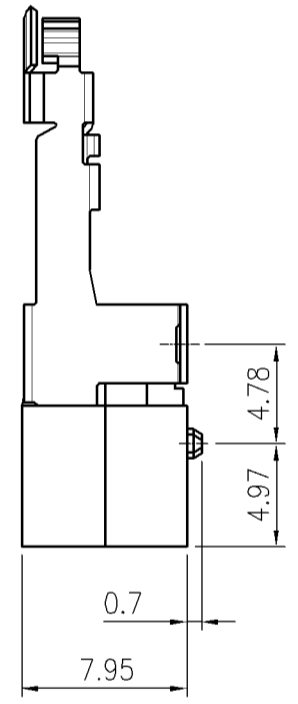
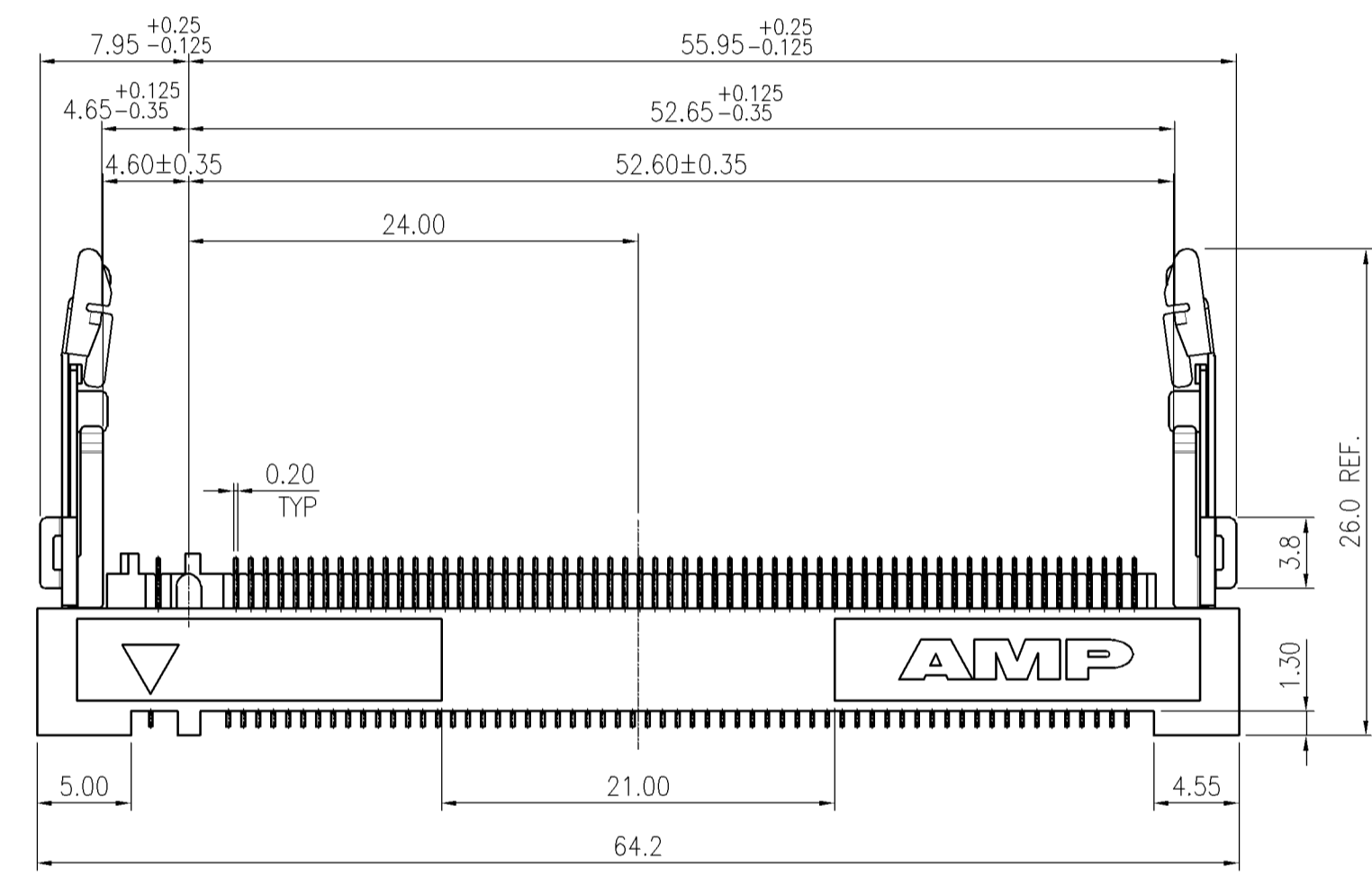
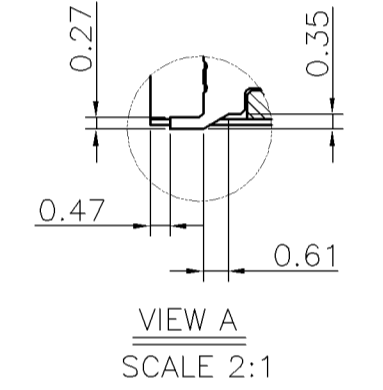
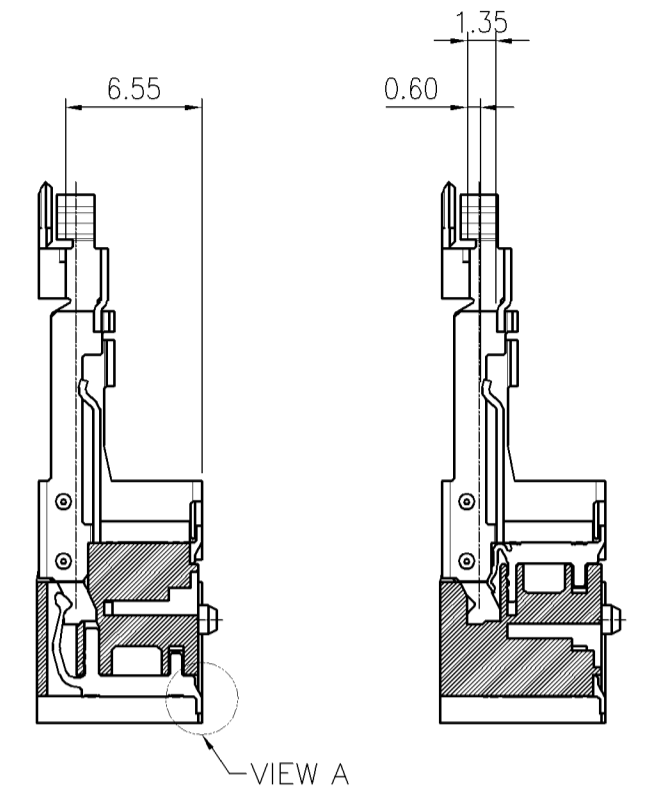
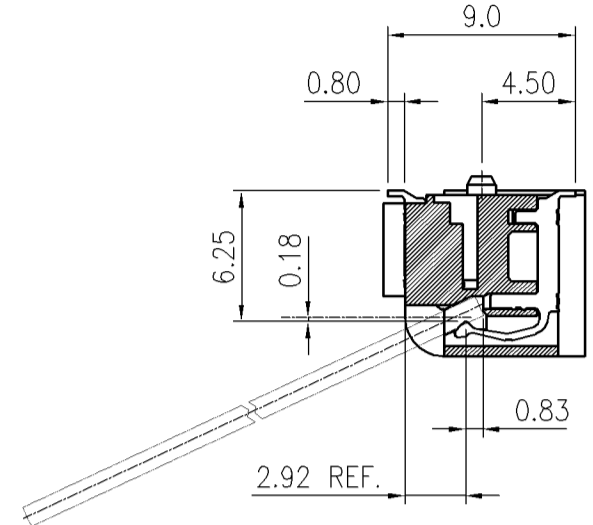
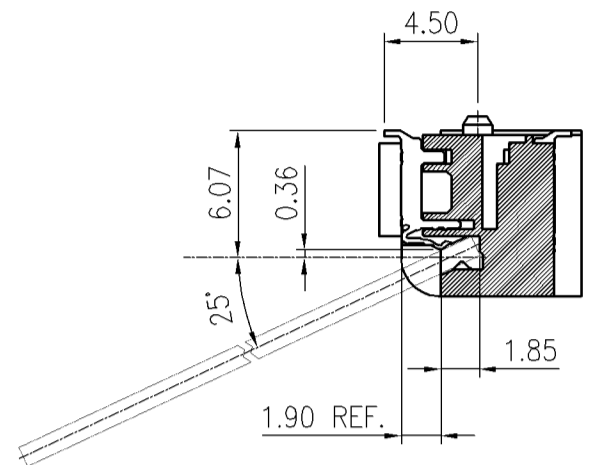
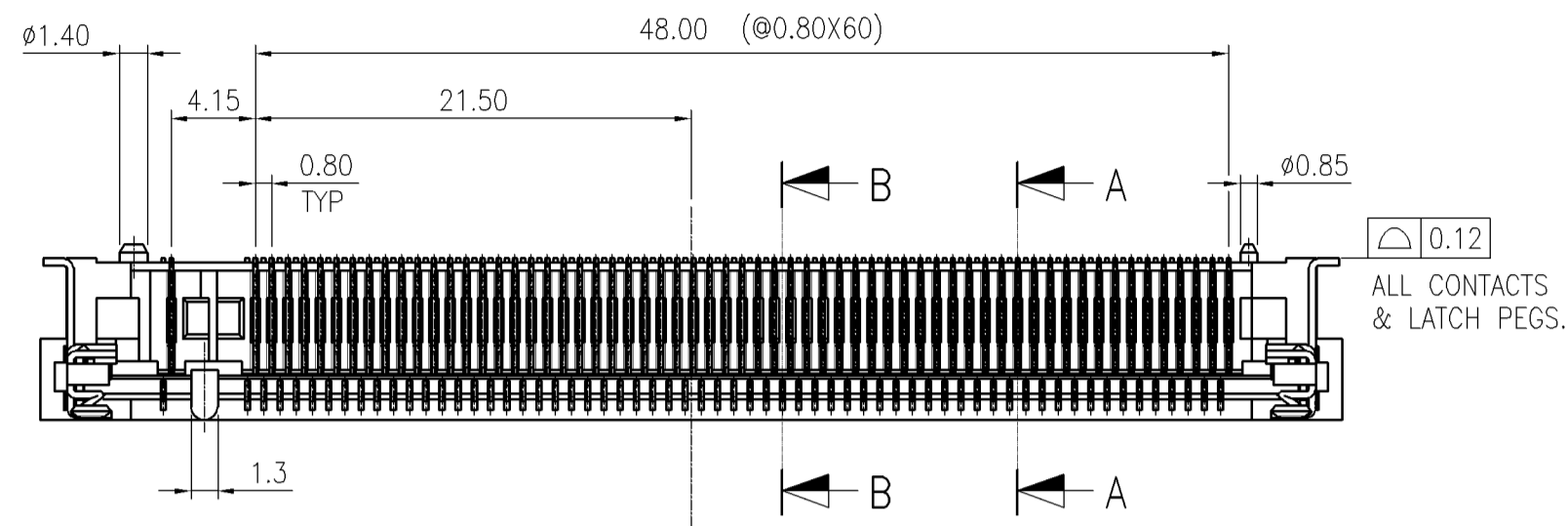
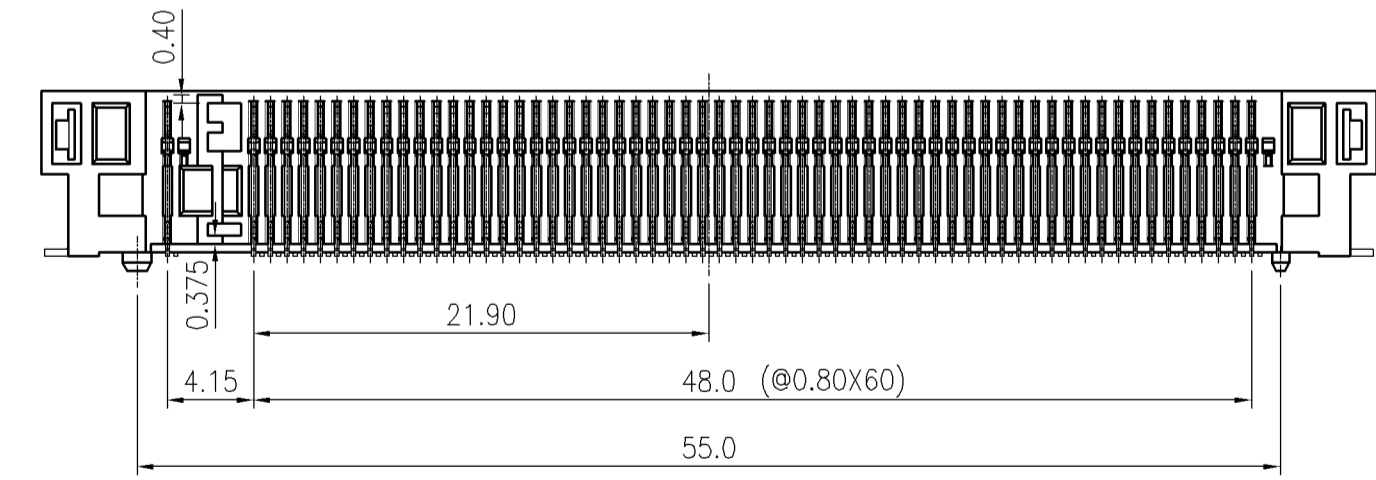


THIS DRAWING IS UNPUBLISHED. RELEASED FOR PUBLICATION
 © COPYRIGHT BY TYCO ELECTRONICS CORPORATION. ALL RIGHTS RESERVED.

LOC	DIST	REVISIONS		
DW	—	P	LTR	DESCRIPTION
		A	RELEASED	DATE
				DWN
				APVD
				18MAY07
				HH
				WK



- NOTE :
- MATERIAL
 HOUSING : THERMOPLASTIC (LCP), UL 94V-0, BLACK COLOR
 CONTACT : COPPER ALLOY
 LATCH : STAINLESS
 - FINISH
 CONTACT : 0.25um (10u") MIN. GOLD PLATED ON CONTACT AREA, GOLD FLASH PLATING ALL OVER, WITH 1.27um (50u") MIN. NICKEL UNDERPLATING ALL OVER.
 LATCH : 2.54um (100u") MIN. TIN-COPPER PLATING OVER 0.76um (30u") MIN. NICKEL PLATING.
 - CARD THICKNESS APPLIES ACROSS TABS AND INCLUDES PLATING AND/OR METALIZATION
 - APPLICATION
 GOLD CONTACT PAD : ELECTROLESS GOLD PLATING 0.05um MIN OVER ELECTROLESS NICKEL PLATING 2um MIN
 - BORDER OF COMPONENT AREA
 - REFLOW SOLDER CAPABLE TO 260°C PER TYCO TEST SPEC 109-201, CONDITION B.

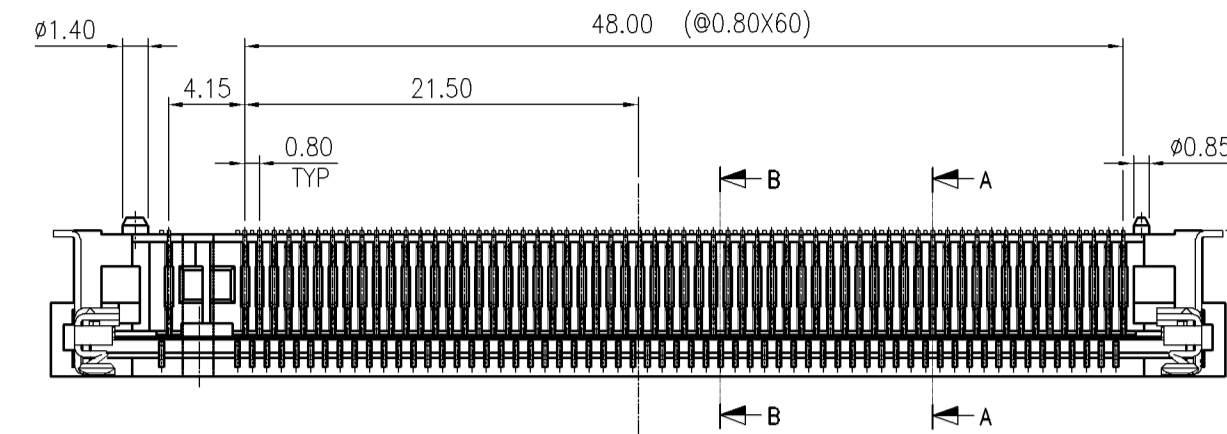


NO HOLE	WHITE	1734068-3
	TRANSPARENT	1734068-1
HOLE	TRAY COLOR	PART NUMBER

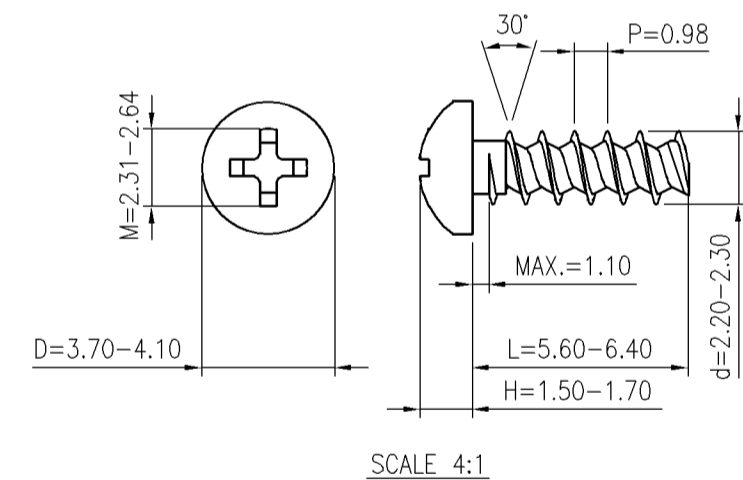
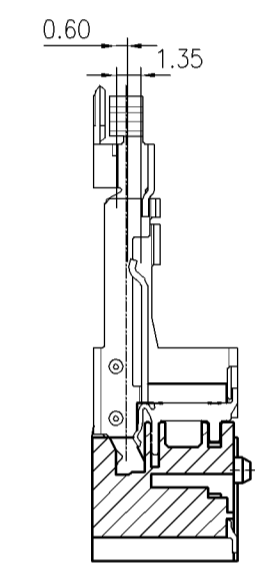
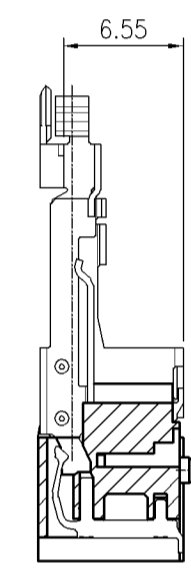
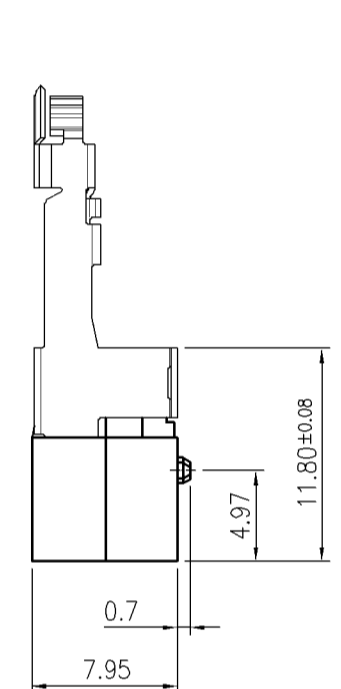
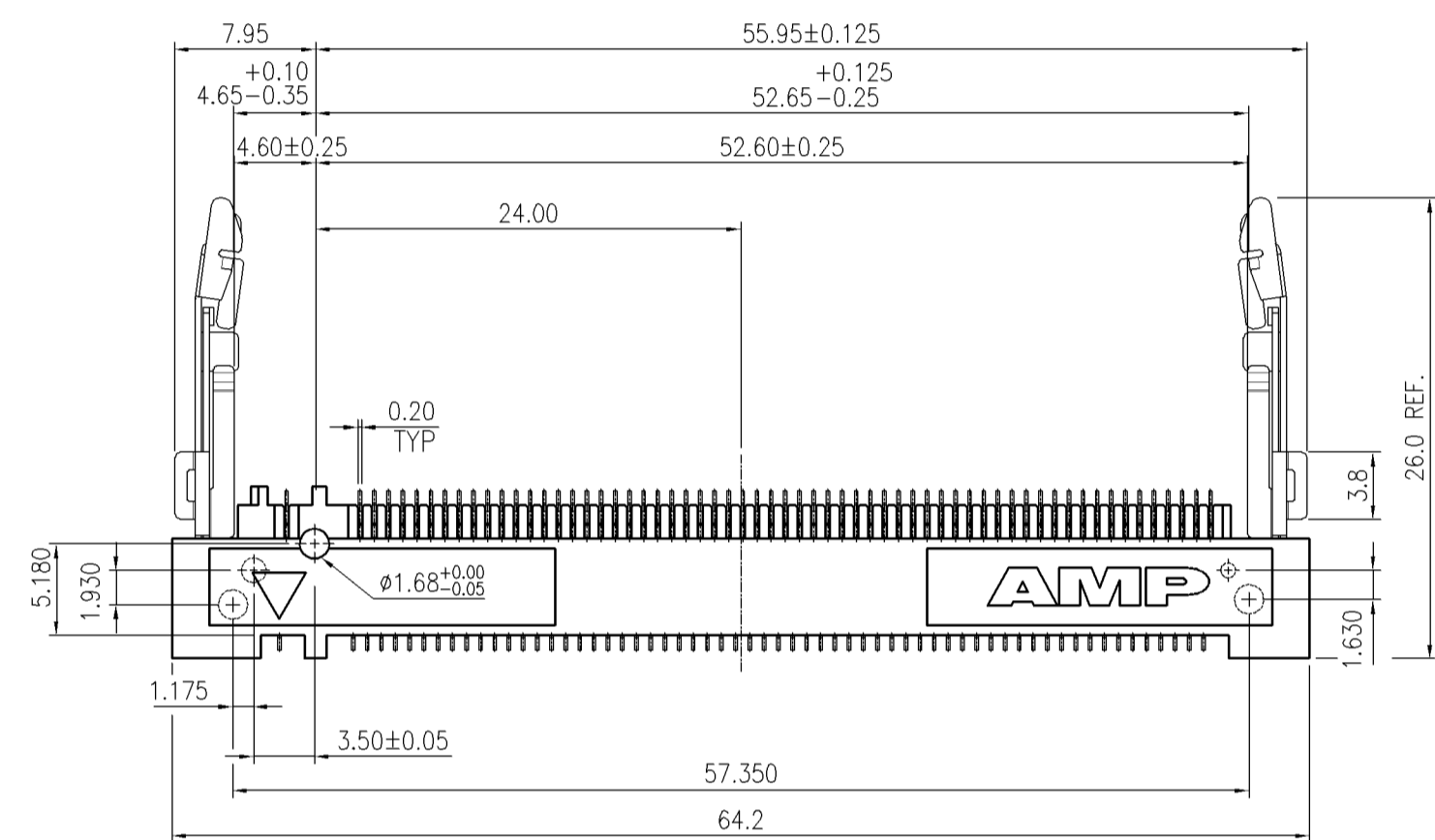
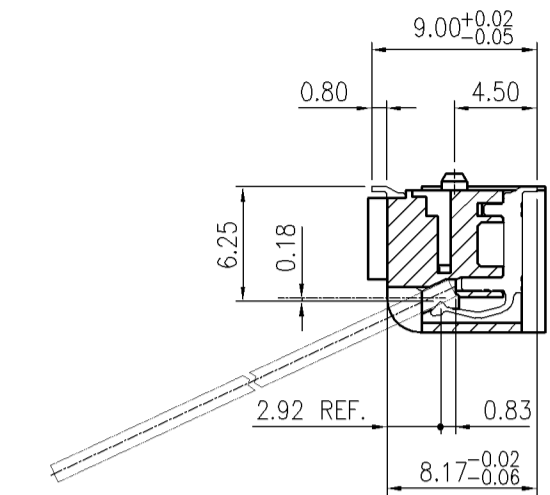
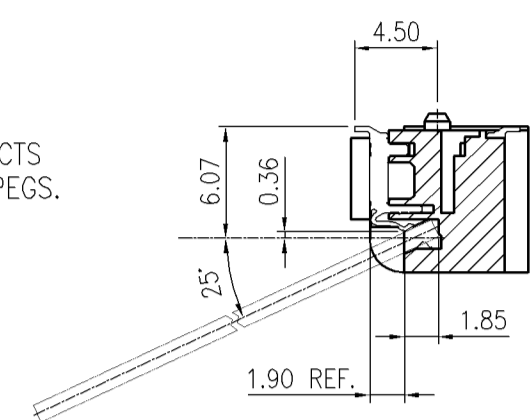
THIS DRAWING IS A CONTROLLED DOCUMENT.		DWN	H. HUANG	18MAY2007	Tyco Electronics Corporation Taipei, Taiwan		
DIMENSIONS: MM		CHK	S. HOU	18MAY2007			
TOLERANCES UNLESS OTHERWISE SPECIFIED:		APVD	W.J. KE	18MAY2007	PRODUCT SPEC		
0 PLC ± -		QUALIFICATION TEST REPORT			108-57083		
1 PLC ± 0.35		WEIGHT			501-57035		
2 PLC ± 0.25		CUSTOMER DRAWING			SCALE -		
3 PLC ± -		SIZE			A3		
4 PLC ± -		CAGE CODE			00779		
ANGLES ± -		DRAWING NO			C-1734068		
FINISH		RESTRICTED TO			-		
SEE NOTE		SHEET			1 OF 6		
SEE NOTE		REV			A		

THIS DRAWING IS UNPUBLISHED. RELEASED FOR PUBLICATION
 © COPYRIGHT BY TYCO ELECTRONICS CORPORATION. ALL RIGHTS RESERVED.

LOC	DIST	REVISIONS			
P	LTR	DESCRIPTION	DATE	DWN	APVD
DW	—	SEE SHEET 1.			



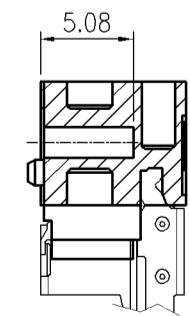
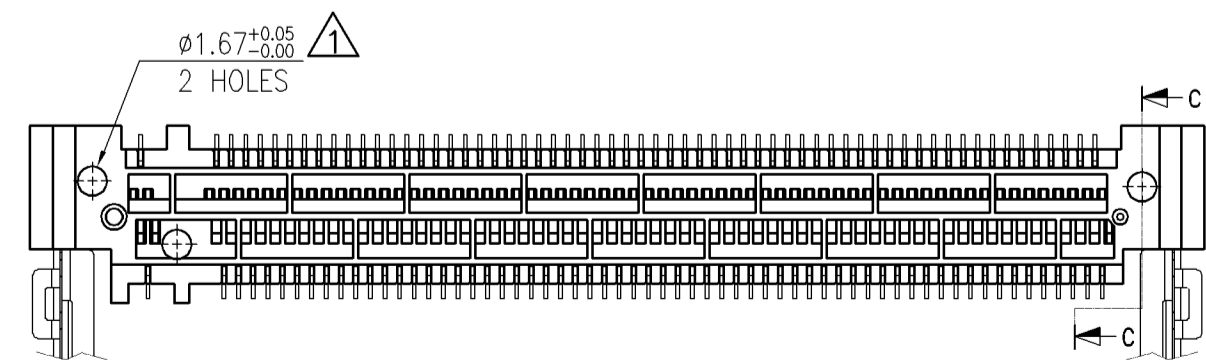
0.12
 ALL CONTACTS & LATCH PEGS.



NOTE:
 ▲ SCREW LOCATION AS APPLICABLE PER CUSTOMER.
 ▲ RECOMMENDED SCREW :
 M2.2 X 6, PT 30 OR EQUIVALENT SCREW FOR THERMOPLASTIC.
 3. TORQUE SCREWS TO 38-48 OZF-IN.

M2.2X6 PT30
 ▲ RECOMMENDED SCREW

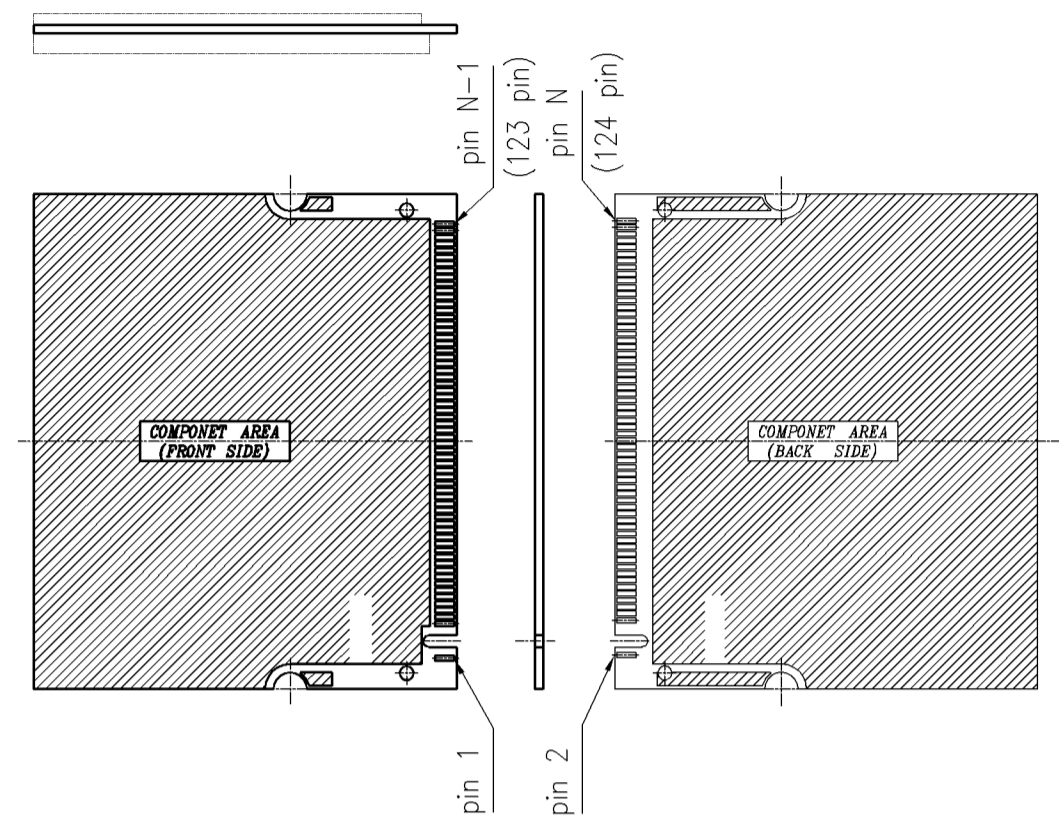
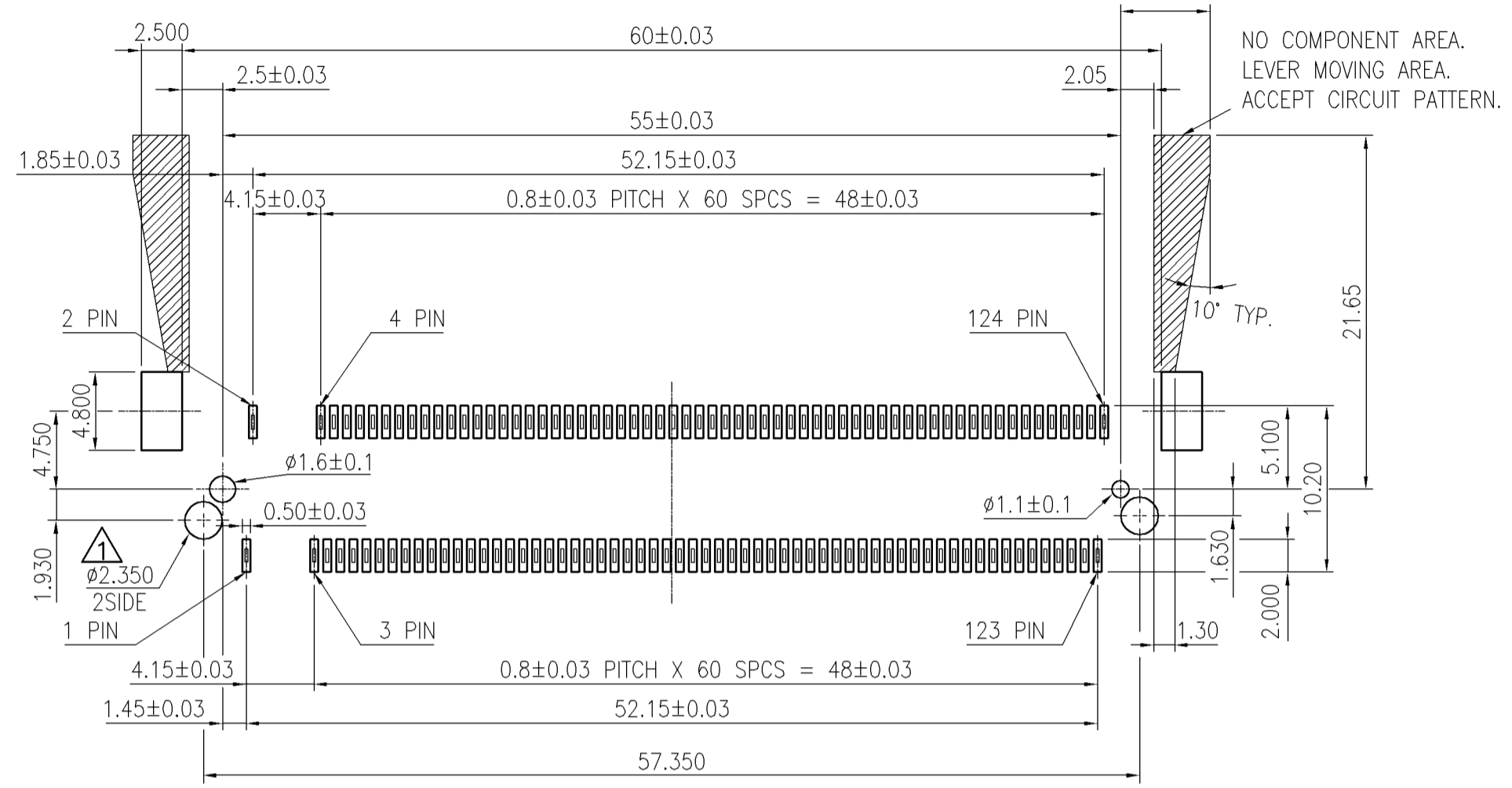
WITH HOLE	WHITE	1-1734068-3
	TRANSPARENT	1-1734068-1
HOLE	TRAY COLOR	PART NUMBER



THIS DRAWING IS A CONTROLLED DOCUMENT.		DWN H. HUANG 18MAY2007	 Tyco Electronics Corporation Taipei, Taiwan
DIMENSIONS: MM		CHK S. HOU 18MAY2007	
TOLERANCES UNLESS OTHERWISE SPECIFIED:		APVD W.J. KE 18MAY2007	NAME
0 PLC	± -	PRODUCT SPEC	0.8mm PITCH FAX MODEM SOCKET, 124 POSITIONS
1 PLC	± -	APPLICATION SPEC	SIZE CAGE CODE DRAWING NO RESTRICTED TO
2 PLC	± -	WEIGHT	A3 00779 C-1734068
3 PLC	± -	CUSTOMER DRAWING	SCALE SHEET 2 OF 6 REV A
4 PLC	± -		
ANGLES	± -		
FINISH	± -		

THIS DRAWING IS UNPUBLISHED. RELEASED FOR PUBLICATION
 © COPYRIGHT BY TYCO ELECTRONICS CORPORATION. ALL RIGHTS RESERVED.

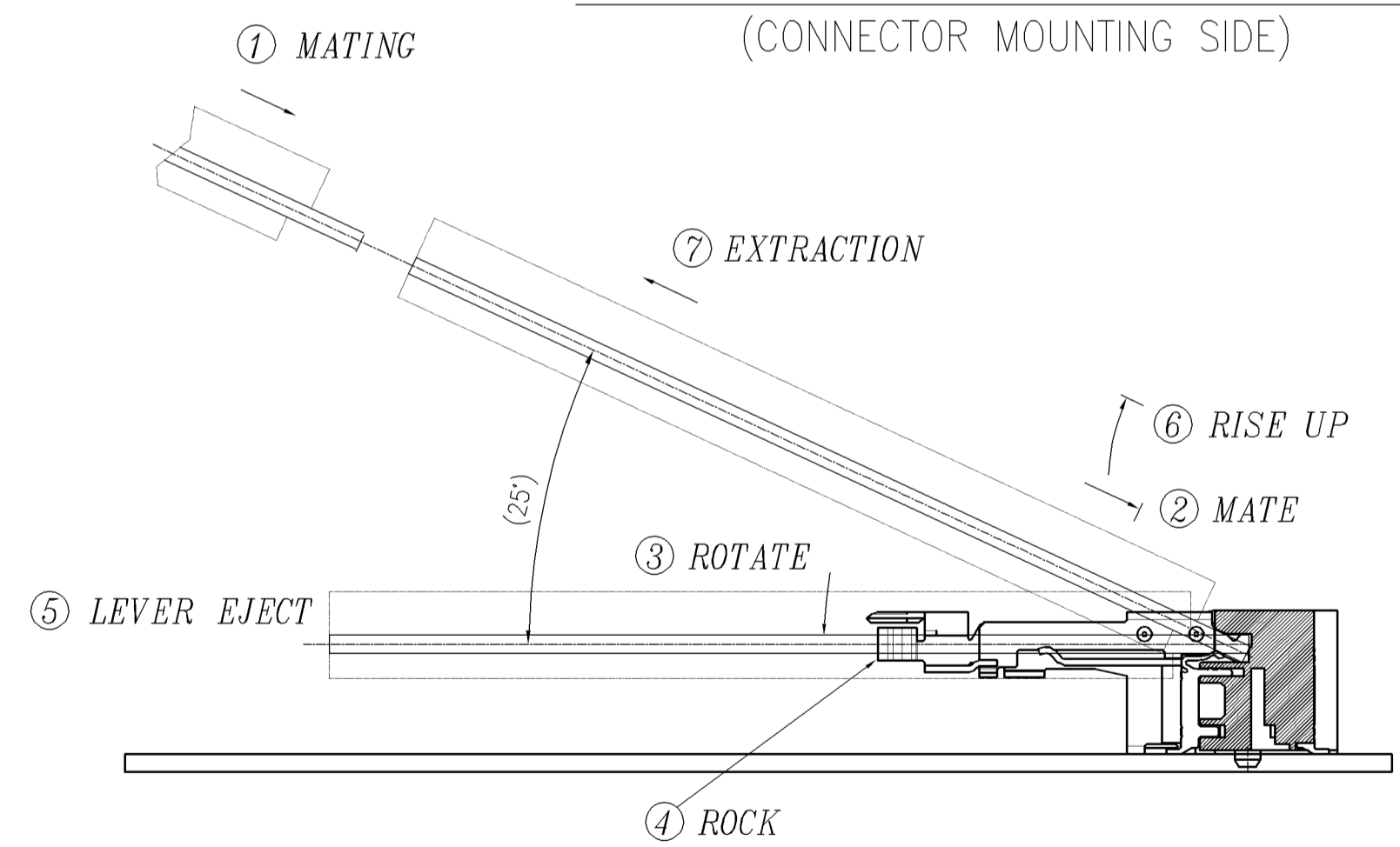
LOC	DIST	REVISIONS					
DW	-	P	LTR	DESCRIPTION	DATE	DWN	APVD
				SEE SHEET 1.			



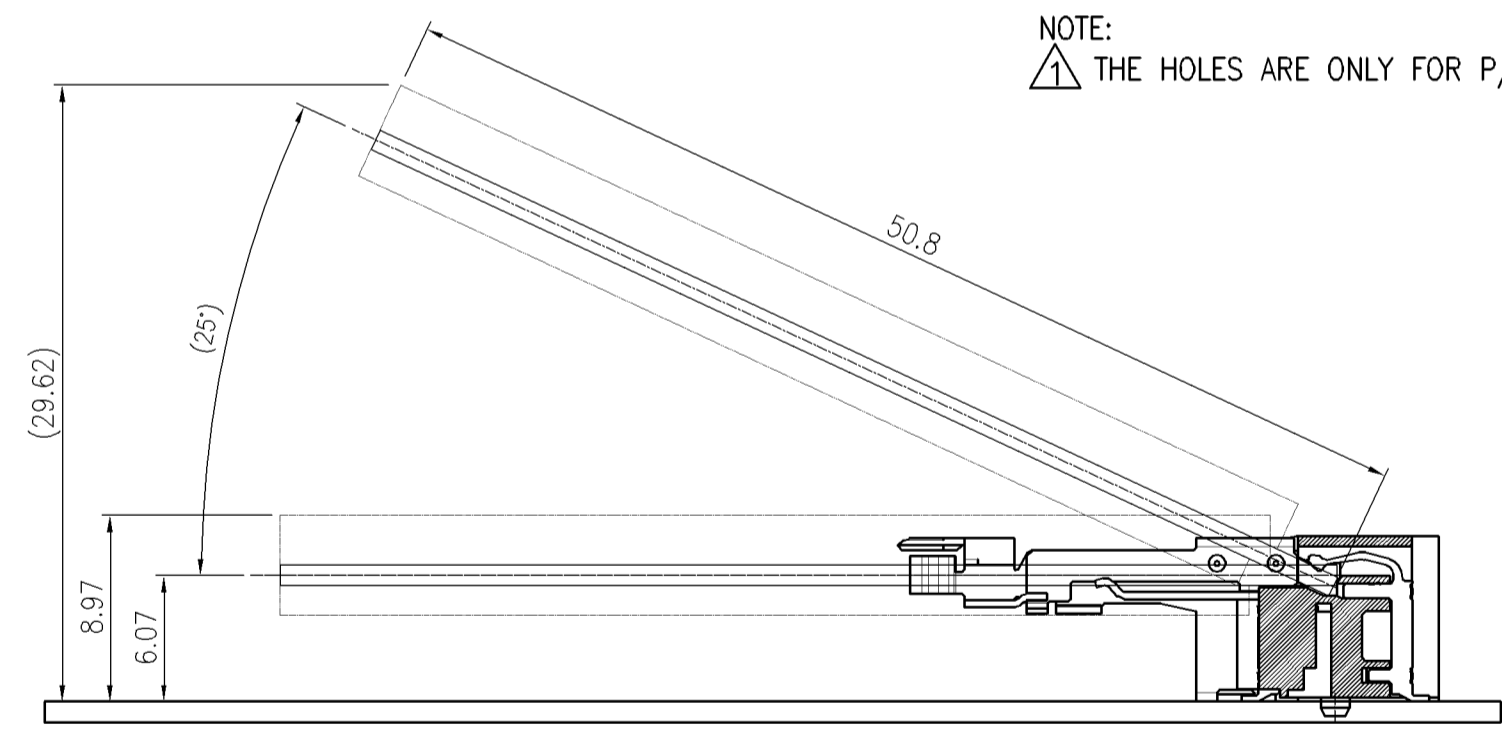
RECOMMENDED P.D. BOARD PATTERN LAYOUT
(CONNECTOR MOUNTING SIDE)

CIRCUIT POSITION OF S.O.DIMM

NOTE: THE HOLES ARE ONLY FOR P/N1-0440360-X.



HOW TO MATE AND UNMATE
 MATE: ① ~ ④
 UNMATE: ⑤ ~ ⑦

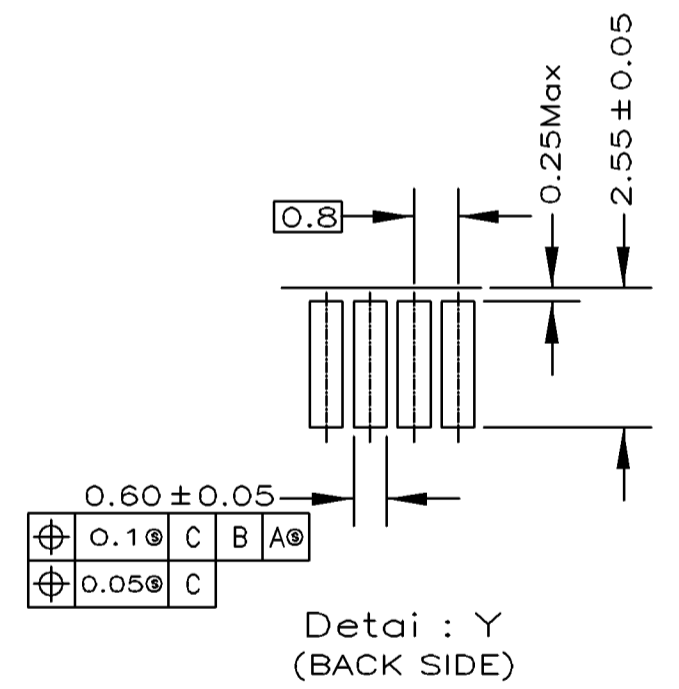
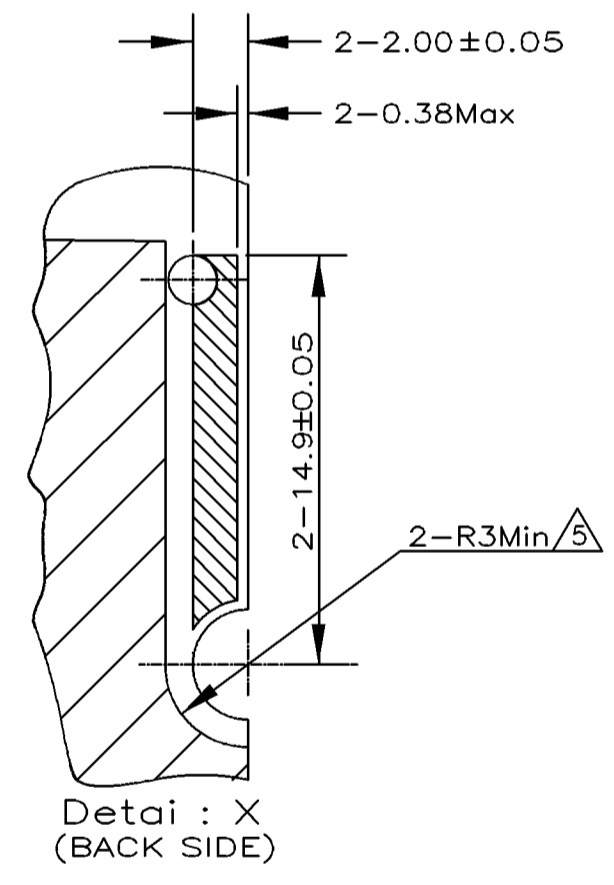
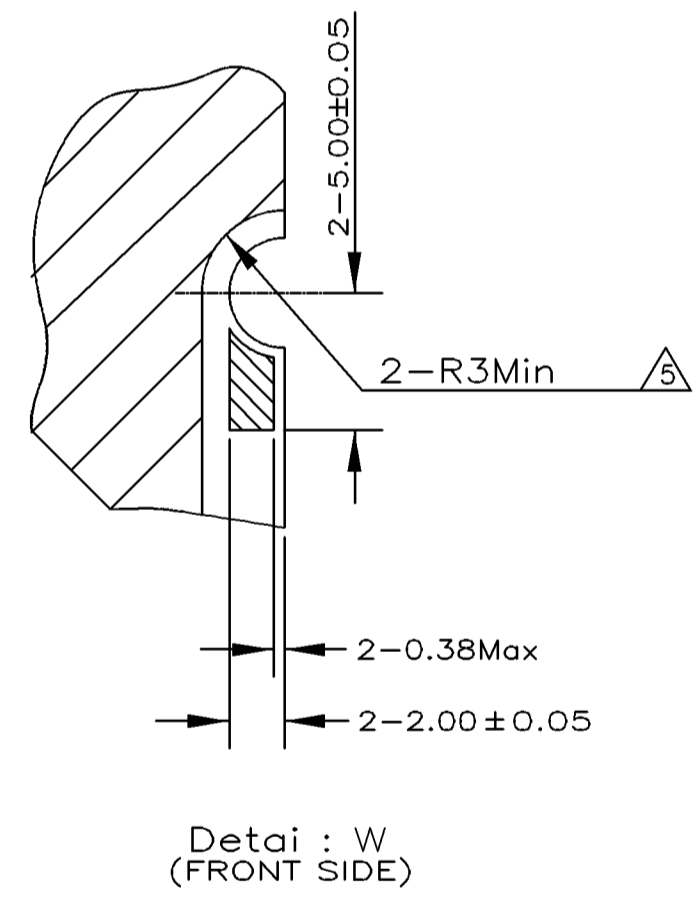
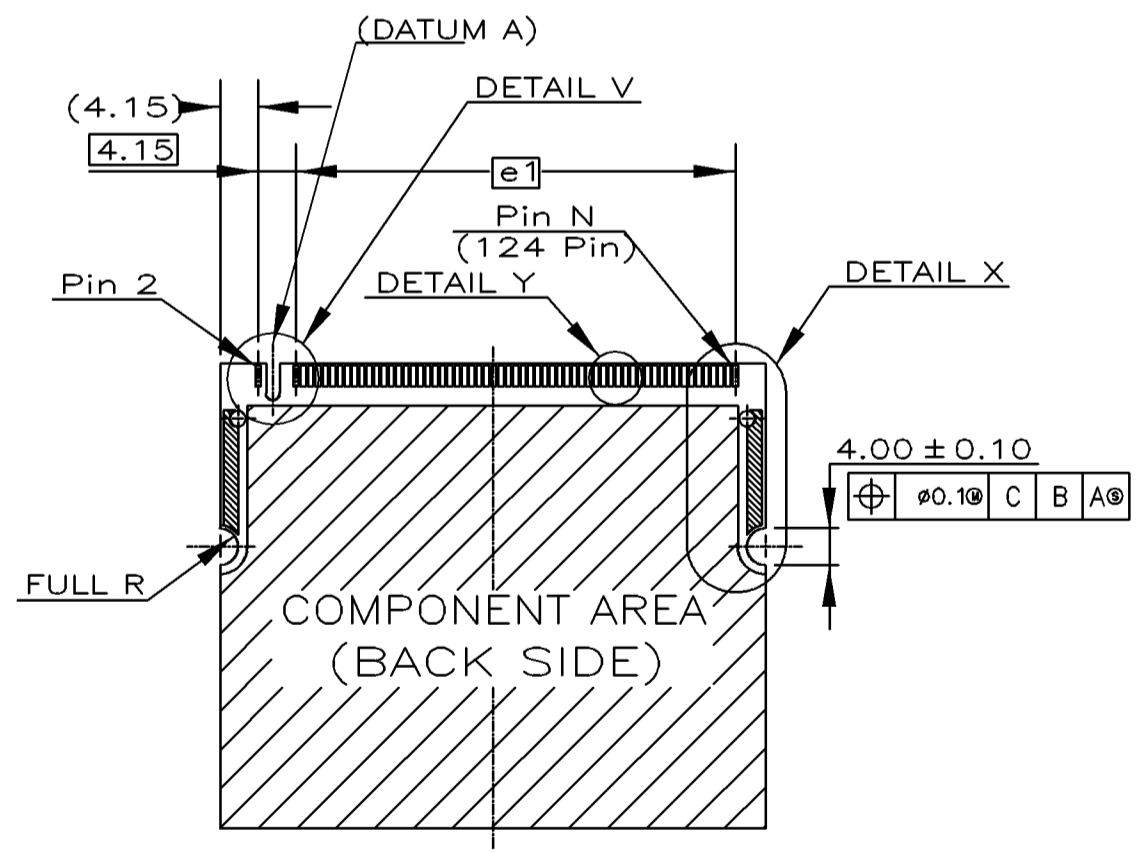
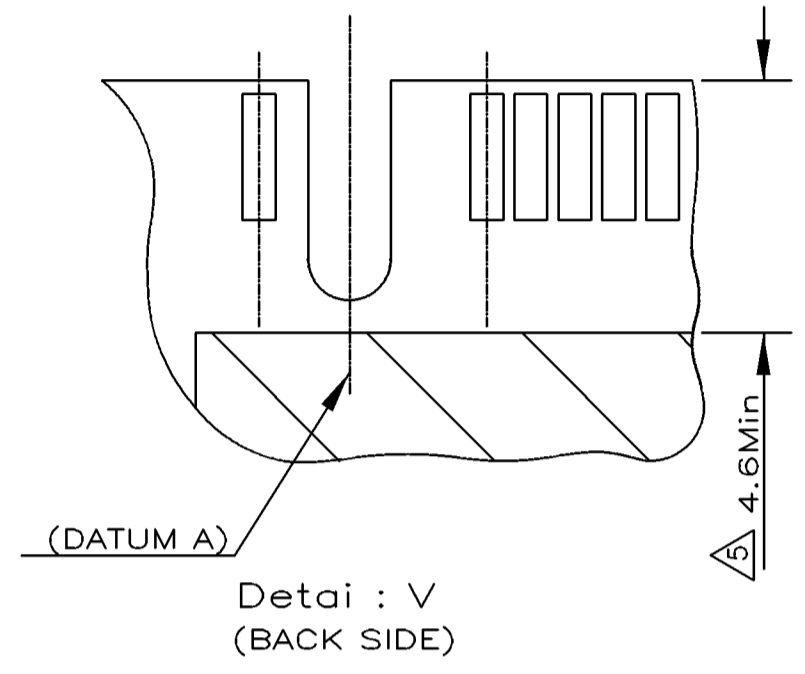
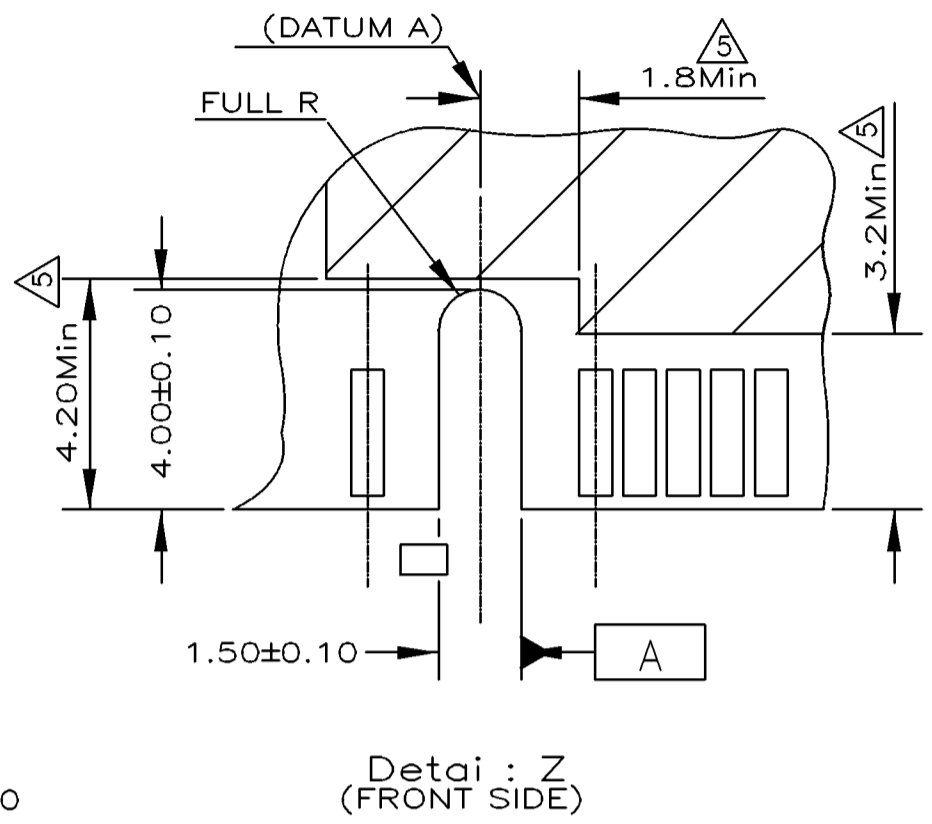
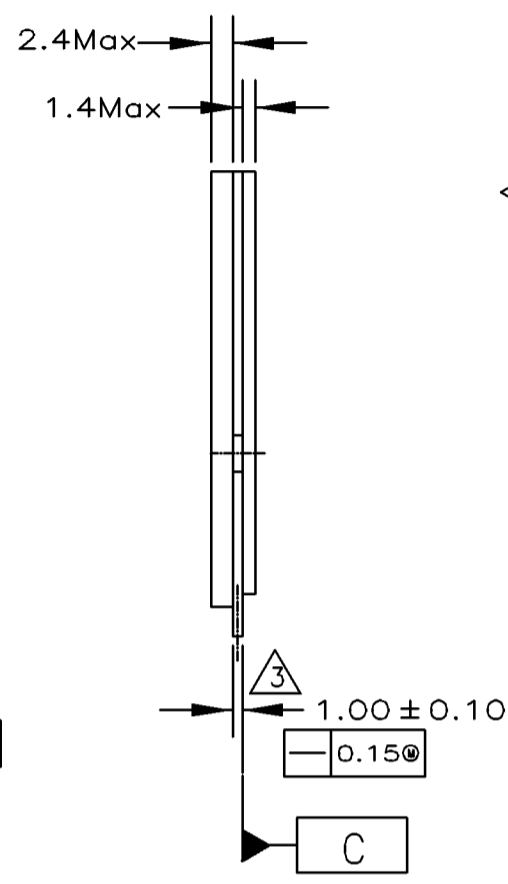
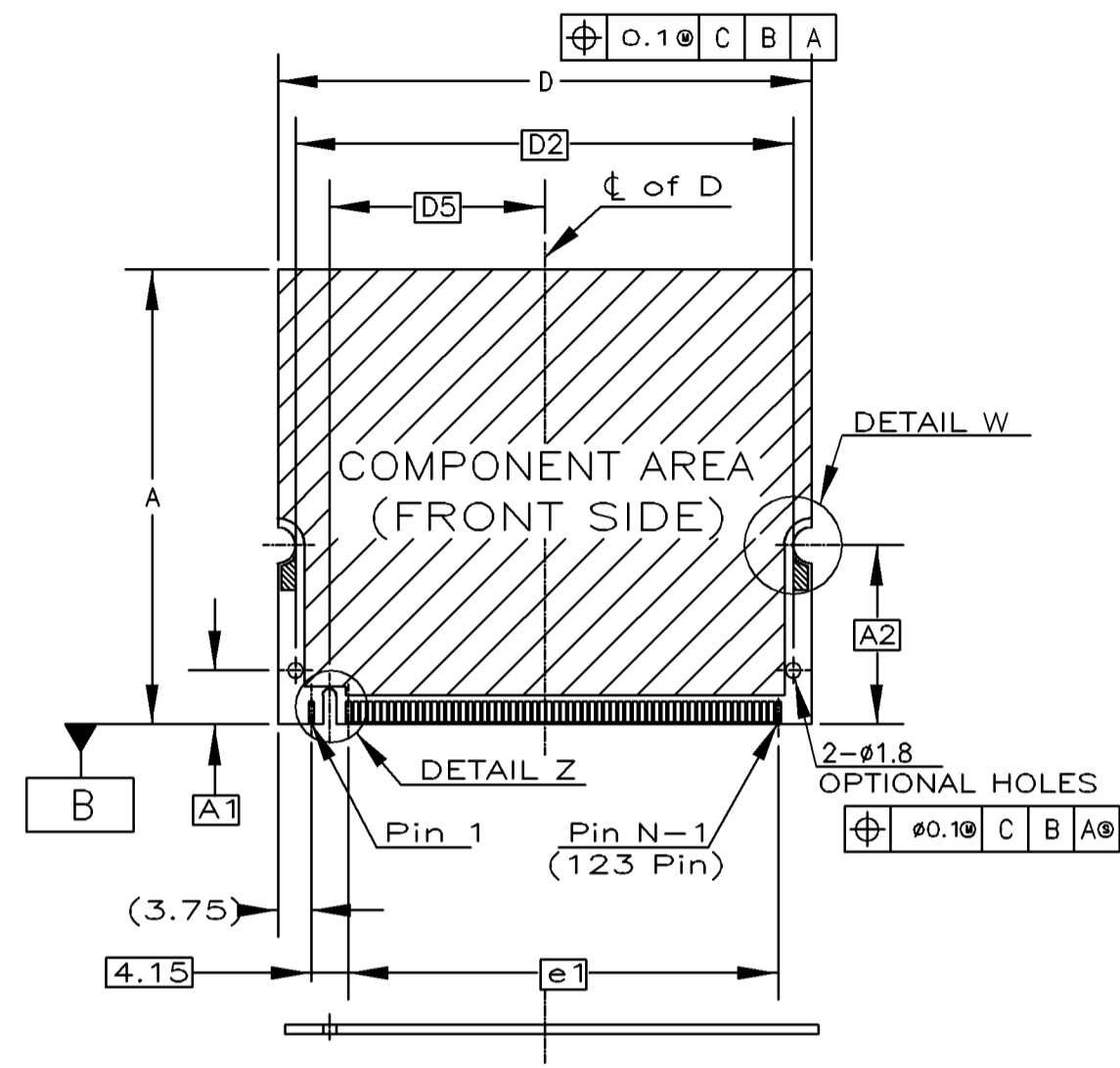


EJECT HEIGHT

THIS DRAWING IS A CONTROLLED DOCUMENT.		DWN H. HUANG 18MAY2007	tyco Tyco Electronics Corporation	
DIMENSIONS: MM		CHK S. HOU 18MAY2007	Electronics Taipei, Taiwan	
TOLERANCES UNLESS OTHERWISE SPECIFIED:		APVD W.J. KE 18MAY2007	NAME	
0 PLC ± -		PRODUCT SPEC	0.8mm PITCH FAX MODEM SOCKET, 124 POSITIONS	
1 PLC ± -		APPLICATION SPEC	SIZE	CAGE CODE
2 PLC ± -		WEIGHT	A3	00779
3 PLC ± -		CUSTOMER DRAWING	DRAWING NO	C-1734068
4 PLC ± -		SCALE	SHEET 3 OF 6	
ANGLES ± -		RESTRICTED TO	REV A	
FINISH				

THIS DRAWING IS UNPUBLISHED. RELEASED FOR PUBLICATION
 © COPYRIGHT BY TYCO ELECTRONICS CORPORATION. ALL RIGHTS RESERVED.

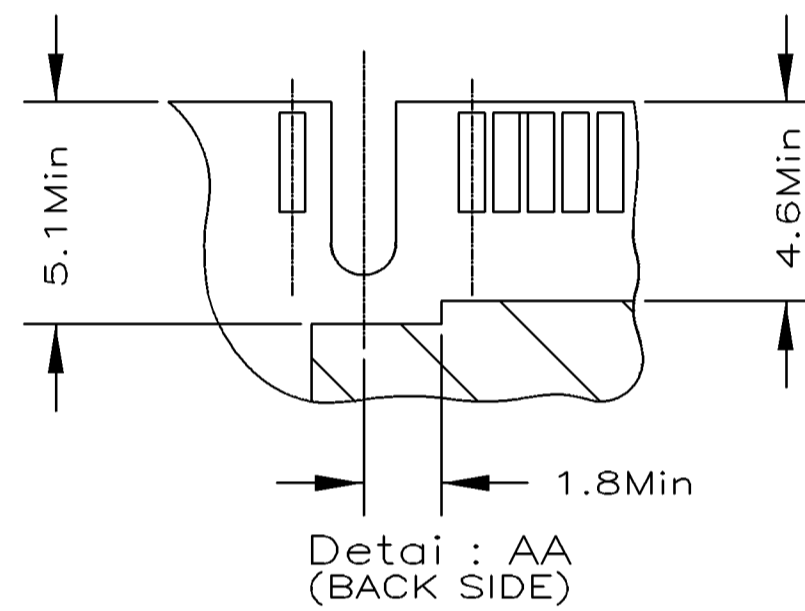
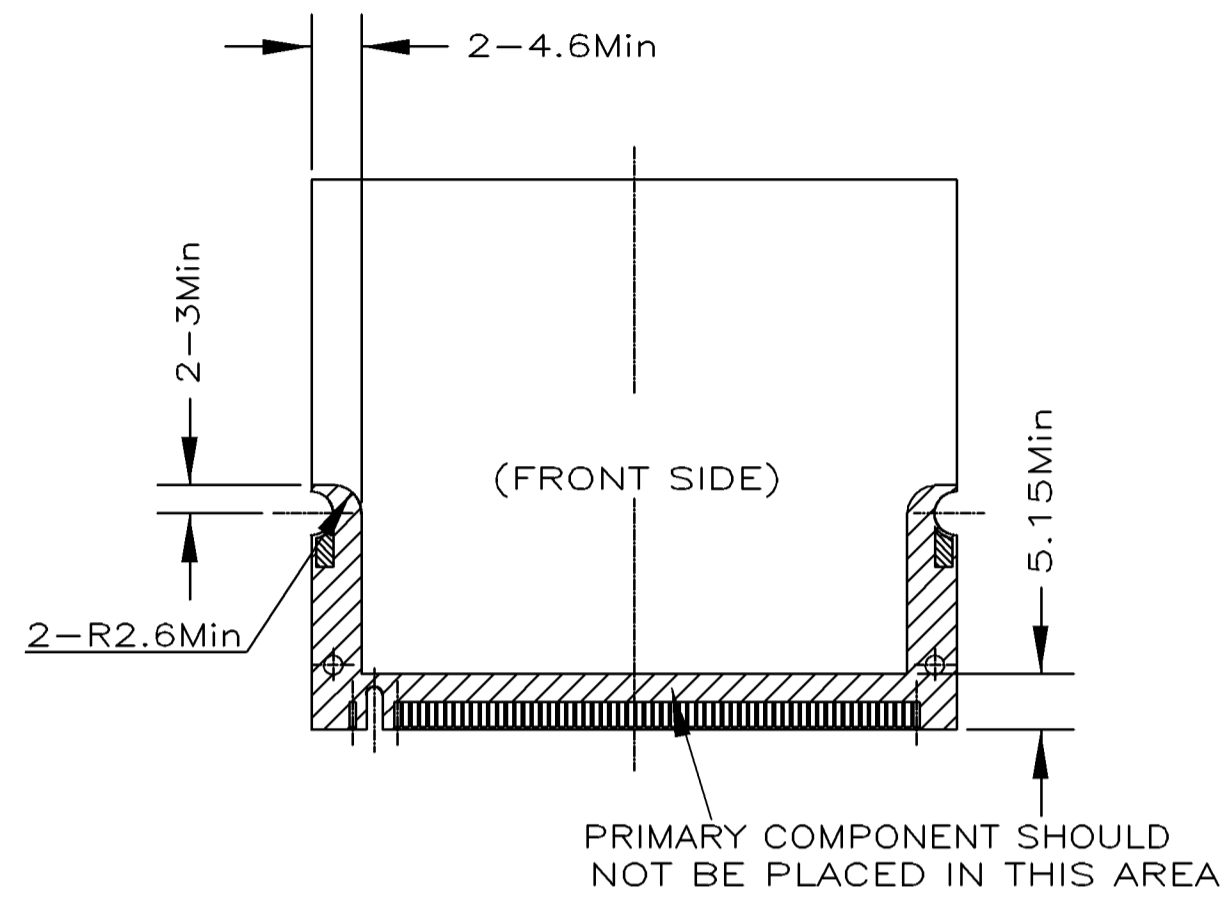
LOC	DIST	REVISIONS			
P	LTR	DESCRIPTION	DATE	DWN	APVD
DW	-	SEE SHEET 1.			



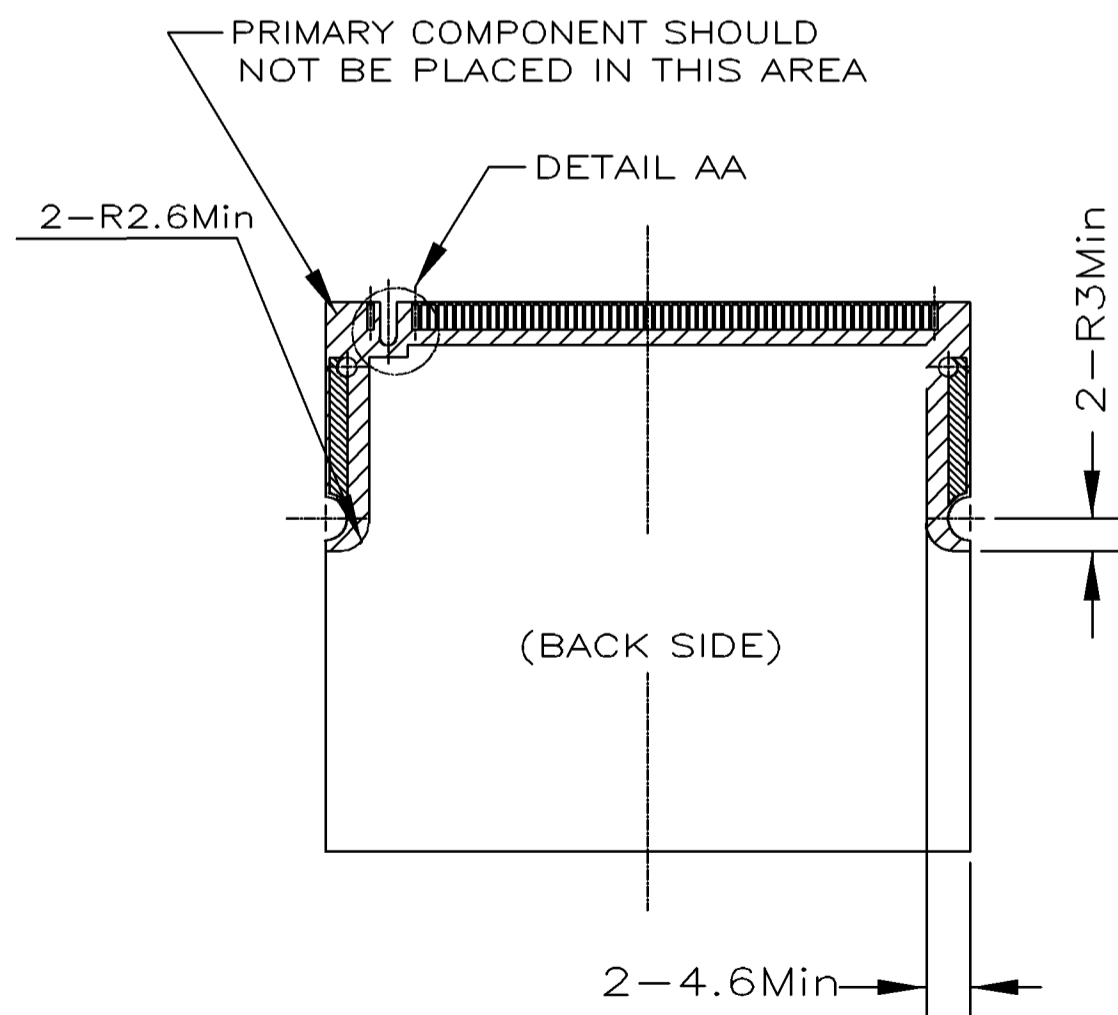
THIS DRAWING IS A CONTROLLED DOCUMENT.		DWN H. HUANG 18MAY2007	tyco Tyco Electronics Corporation	
DIMENSIONS: MM		CHK S. HOU 18MAY2007	Electronics Taipei, Taiwan	
TOLERANCES UNLESS OTHERWISE SPECIFIED:		APVD W.J. KE 18MAY2007	NAME	
0 PLC \pm -		PRODUCT SPEC	0.8mm PITCH FAX MODEM SOCKET, 124 POSITIONS	
1 PLC \pm -		APPLICATION SPEC	SIZE	CAGE CODE
2 PLC \pm -		WEIGHT	A3	00779
3 PLC \pm -		CUSTOMER DRAWING	DRAWING NO	C-1734068
4 PLC \pm -		SCALE	RESTRICTED TO	
ANGLES \pm -		SHEET	4 OF 6	
FINISH		REV	A	

THIS DRAWING IS UNPUBLISHED. RELEASED FOR PUBLICATION
 © COPYRIGHT BY TYCO ELECTRONICS CORPORATION. ALL RIGHTS RESERVED.

LOC DW	DIST —	REVISIONS			
P	LTR	DESCRIPTION	DATE	DWN	APVD
		SEE SHEET 1.			



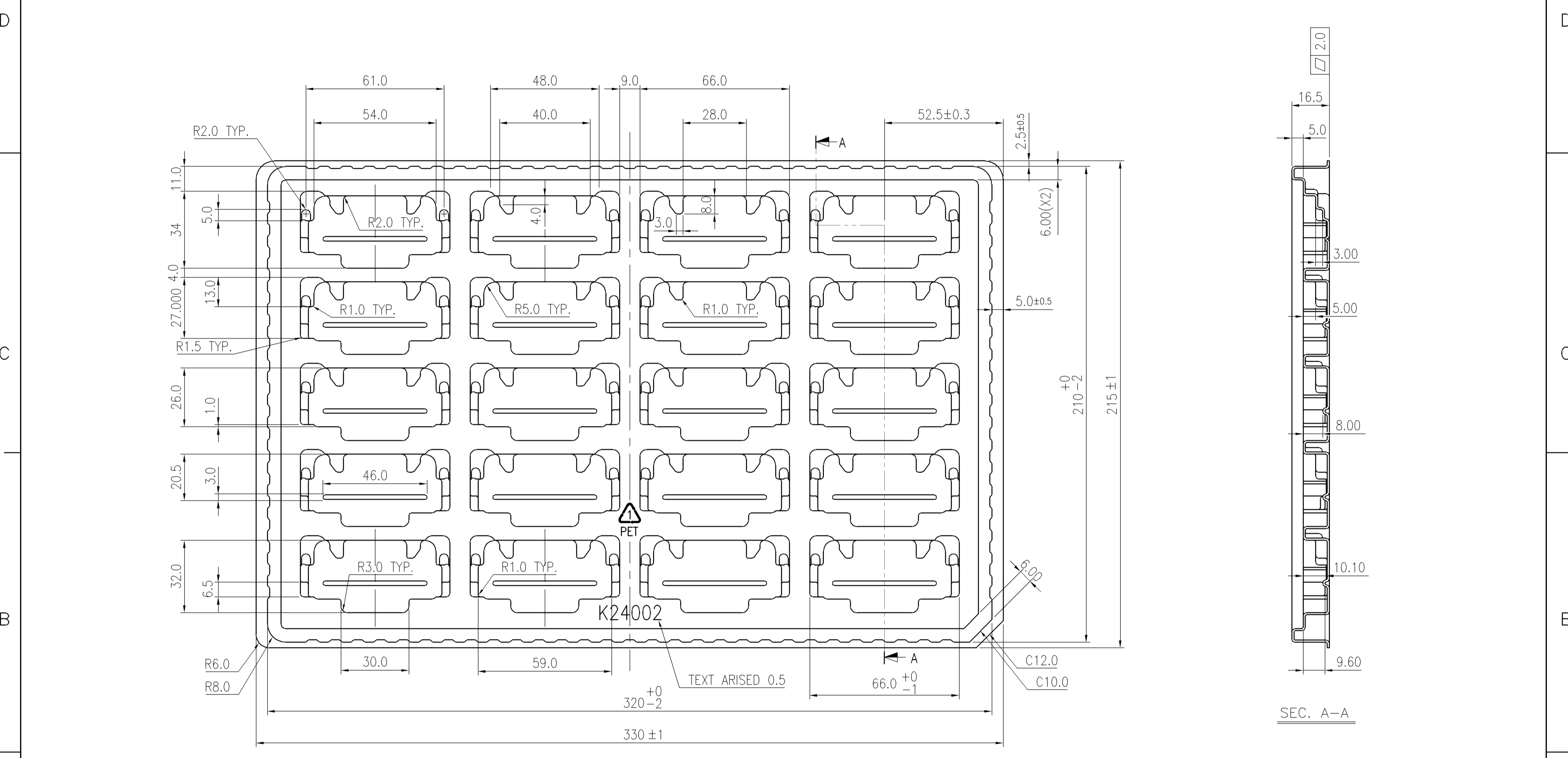
SOYMBOL	VARIATIONS ALL DIMENSIONS IN mm					
	NORMAL HEIGHT 44.45			NORMAL HEIGHT 50.80		
	AA		BA			
	MIN	NOM	MAX	MIN	NOM	MAX
A	44.3	44.45	44.60	50.65	50.80	50.95
A1	6.00	BSC		6.00	BSC	
A2	20.00	BSC		20.00	BSC	
D	59.45	59.6	59.75	59.45	59.6	59.75
D1	1.30	BSC		1.30	BSC	
D2	55.60	BSC		55.60	BSC	
D3	2.05	BSC		2.05	BSC	
D4	1.65	BSC		1.65	BSC	
D5	24.00	BSC		24.00	BSC	
e1	48.00	BSC		48.00	BSC	
N		124			124	



THIS DRAWING IS A CONTROLLED DOCUMENT.		DWN H. HUANG 18MAY2007	tyco Tyco Electronics Corporation		
DIMENSIONS: MM		CHK S. HOU 18MAY2007	Taimei, Taiwan		
TOLERANCES UNLESS OTHERWISE SPECIFIED:		APVD W.J. KE 18MAY2007	NAME		
0 PLC ± -		PRODUCT SPEC	0.8mm PITCH FAX MODEM SOCKET, 124 POSITIONS		
1 PLC ± -		APPLICATION SPEC	SIZE	CAGE CODE	DRAWING NO
2 PLC ± -		WEIGHT	A3	00779	C=1734068
3 PLC ± -		CUSTOMER DRAWING	SCALE	SHEET	REV
4 PLC ± -			—	5 OF 6	A
ANGLES ± -					
FINISH					

THIS DRAWING IS UNPUBLISHED. RELEASED FOR PUBLICATION
 © COPYRIGHT BY TYCO ELECTRONICS CORPORATION. ALL RIGHTS RESERVED.

LOC DW	DIST —	REVISIONS		
P	LTR	DESCRIPTION	DATE	DWN APVD
		SEE SHEET 1.		



- NOTES:
1. MATERIAL: PET, t=0.9 ± 0.20 mm.
 2. ALLOWED RADIUS R0.5 UNLESS OTHERWISE SPECIFIED.
 3. DRAFT ANGLE: 3° MAX.
 4. PACKAGE: 30 TRAYS/CARTON, TOTAL: 600 PCS.
 5. NET WEIGHT: 3.45 kgs/CTN
 6. GROSS WEIGHT: 8 kgs/CTN

THIS DRAWING IS A CONTROLLED DOCUMENT.		DWN H. HUANG 18MAY2007	tyco Tyco Electronics Corporation	
		CHK S. HOU 18MAY2007	Electronics Taipei, Taiwan	
		APVD W.J. KE 18MAY2007	NAME	
		PRODUCT SPEC	0.8mm PITCH FAX MODEM SOCKET, 124 POSITIONS	
		APPLICATION SPEC		
		WEIGHT	SIZE A3	CAGE CODE 00779
		CUSTOMER DRAWING	DRAWING NO C=1734068	RESTRICTED TO
			SCALE	SHEET 6 OF 6
				REV A